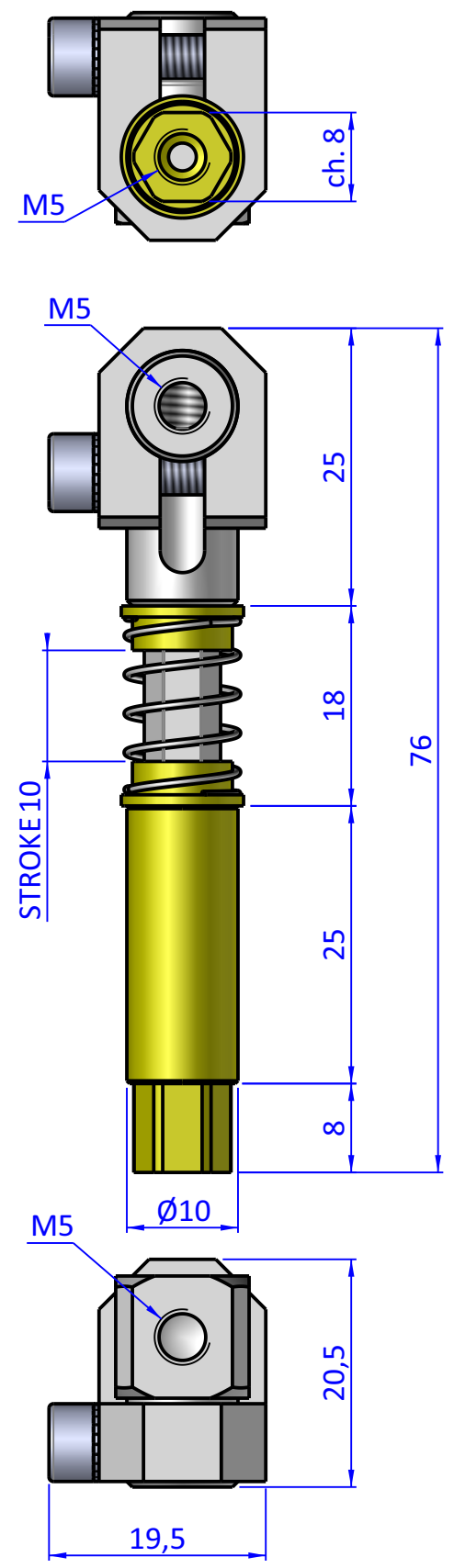
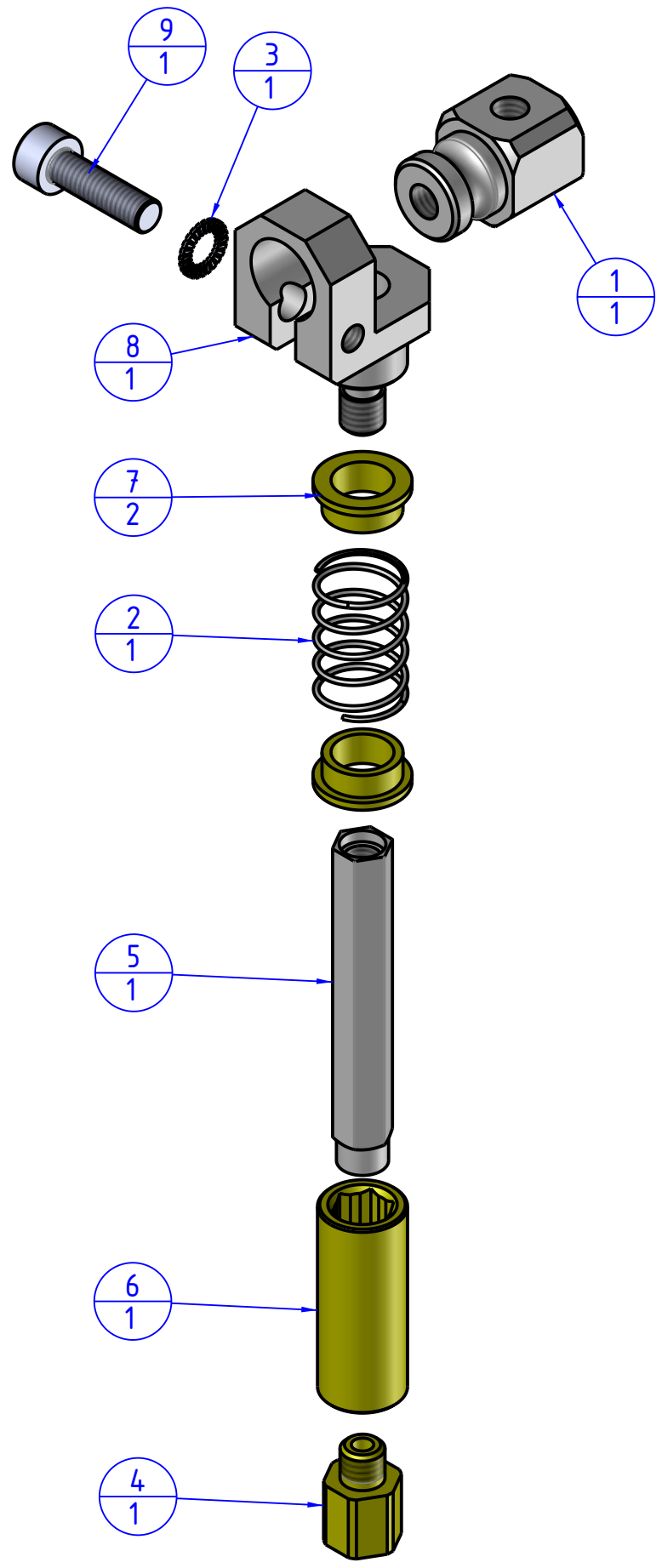

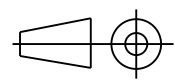


THE PROPERTY OF THE DRAWING IS ESTABLISHED BY LAW. IT IS FORBIDDEN TO PRODUCE OR SHOW IT TO THIRD PART, WITHOUT A WRITTEN AGREEMENT.

Item	Name	Q.ty
1	GGB.10.5.5	1
2	M.10.5x28	1
3	R.4.SCH	1
4	SAE.10050510.1	1
5	SAE.10050510.2	1
6	SAE.10050510.3	1
7	SAE.10050510.4	2
8	SSN.10100505.1	1
9	V.TCE4x14	1



Format A3
UNI 936-76

 FPS FPSERVICES AUTOMATION			DESIGNED FROM FPS Automation	REVIEW A
GENERAL TOLERANCE UNI - ISO 2768 CLASSE f	DESCRIPTION CA.SAS.10050510	DATE 07/05/2024	WEIGHT 0,034kg	CODE CA.SAS.10050510